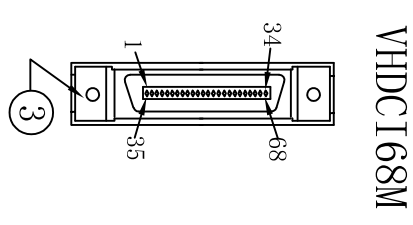
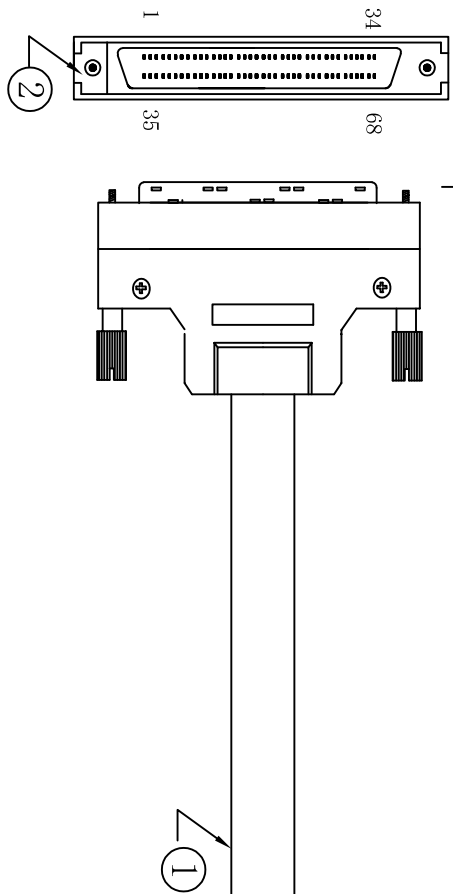


# HP-DB68M



# VHDCl68M

### Inspection And Testing:

- 1、Product must be 100% testin 4 times, No short、No Open Circuit、And No Dislocation
- 2、Electronics Testing: Insulation Resistance: 10MΩ  
Conductor Resistance: 5Ω  
Voltage Rating: 300V

### Material List:

Item	Part	Specifications	Unit	Q'TY
1	Cable	UL2919 28AWG*34P+AEB BLACK	PCS	1
2	Connector	HP-DB68 Male connector	PCS	1
3	Connector	VHDCI68 Male connector	PCS	1

HP-DB68M	VHDCI-68M	HP-DB68M	VHDCI-68M	HP-DB68M	VHDCI-68M	HP-DB68M	VHDCI-68M
1	1	10	10	19	19	28	28
35	35	44	44	53	53	62	62
2	2	11	11	20	20	29	29
36	36	45	45	54	54	63	63
3	3	12	12	21	21	30	30
37	37	46	46	55	55	64	64
4	4	13	13	22	22	31	31
38	38	47	47	56	56	65	65
5	5	14	14	23	23	32	32
39	39	48	48	57	57	66	66
6	6	15	15	24	24	33	33
40	40	49	49	58	58	67	67
7	7	16	16	25	25	34	34
41	41	50	50	59	59	68	68
8	8	17	17	26	26	S	S
42	42	51	51	60	60		
9	9	18	18	27	27		
43	43	52	52	61	61		

Customer No:			Proportion:	2.5:1	Edition:	A/1	Drawering By:	
Customer sign:			Unit:	MM	Confirm:		Drawering By:	
Product Name:	HP-DB68M/VHDCI68M	Drawing No.:		Data:		Approval:		
Packing:	PE Bag/One PCS							